



PC2C-XX4 FROZEN BEVERAGE MACHINE

The PC2C-XX4 is a high volume slush machine designed for reliability and ease of use in an attractive brushed-steel finish that accents any placement. The PC2C-XX4 offers an energy efficient refrigeration system for low cost operation, oversized LED backlit signage for merchandising appeal and no heat to melt the slush product, and simple controls for easy operation and perfect slush every time.

Features

- Large 3.2 gallon bowls (x2) for high volume applications
- Night time refrigeration mode for energy savings and to minimize cleaning
- Simple switch control functions for reliability and cost efficient maintenance
- Independently operable bowls for flexibility to run one or two flavors
- Variable consistency control for perfect slush with any product
- Removable drip trays for easy draining and cleaning
- Mirror stainless steel with black trim for an attractive finish that is easy to clean



Intertek



Intertek



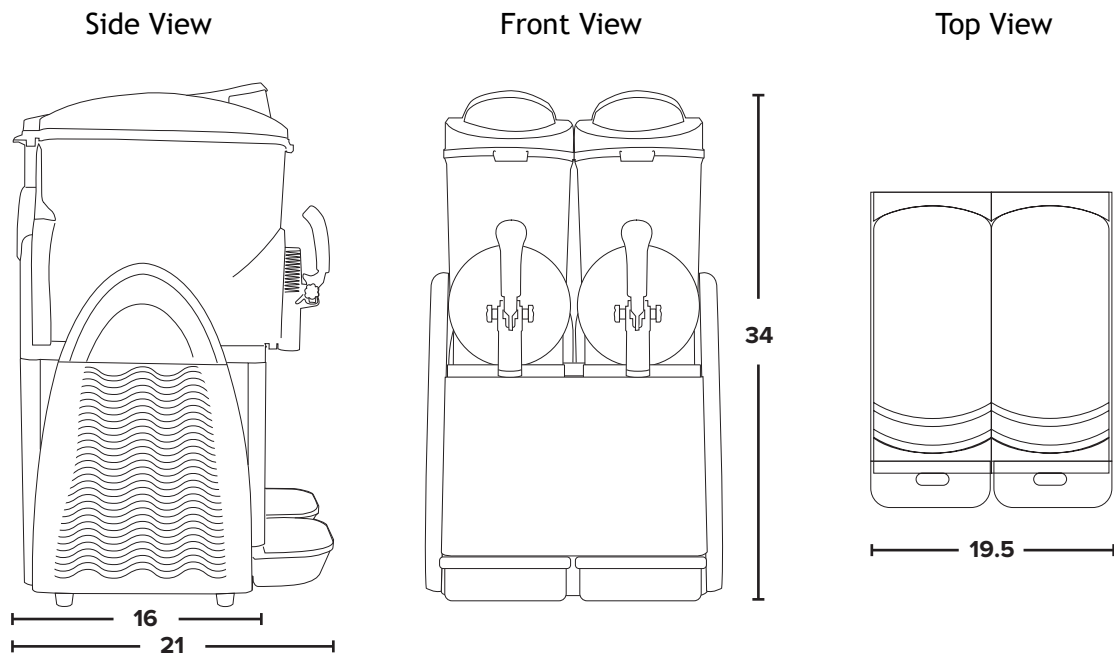
CE ISO 9001

 **ProCool**

30798 Kingsland Blvd.,
Ste 200 / BLDG B
Katy, Texas 77423

DONNIECOOLS
info@donniecools.com
www.donniecools.com

PC2C-XX4



Size and Capacity

Refrigerated Hoppers (each)	12.7 Qt (12 L)
Height	34 in (850 mm)
Width	19 in (500 mm)
Depth	21 in (550 mm)
Weight	102 lbs (46 kg)

Electrical

Voltage	115 v
Phase	Single
Rated Input Power	720 W
Compressor	1/3 HP
Hertz	60 Hz
Plug type	115 volt Standard Plug

Distributed By:



30798 Kingsland Blvd.,
Ste 200 / BLDG B
Katy, Texas 77423

DONNIECOOLS
info@donniecools.com
www.donniecools.com